

Universal calibration tower



© 2017 - 2018 Renishaw plc. All rights reserved.

This document may not be copied or reproduced in whole or in part, or transferred to any other media or language, by any means, without the prior written permission of Renishaw.

The publication of material within this document does not imply freedom from the patent rights of Renishaw plc.

Disclaimer

RENISHAW HAS MADE CONSIDERABLE EFFORTS TO ENSURE THE CONTENT OF THIS DOCUMENT IS CORRECT AT THE DATE OF PUBLICATION BUT MAKES NO WARRANTIES OR REPRESENTATIONS REGARDING THE CONTENT. RENISHAW EXCLUDES LIABILITY, HOWSOEVER ARISING, FOR ANY INACCURACIES IN THIS DOCUMENT.

Trademarks

RENISHAW® and the probe emblem used in the RENISHAW logo are registered trademarks of Renishaw plc in the UK and other countries.

apply innovation is a trademark of Renishaw plc.

All other brand names and product names used in this document are trade names, service marks, trademarks, or registered trademarks of their respective owners.

Packaging

To aid end user recycling and disposal the materials used in the different components of the packaging are stated here:

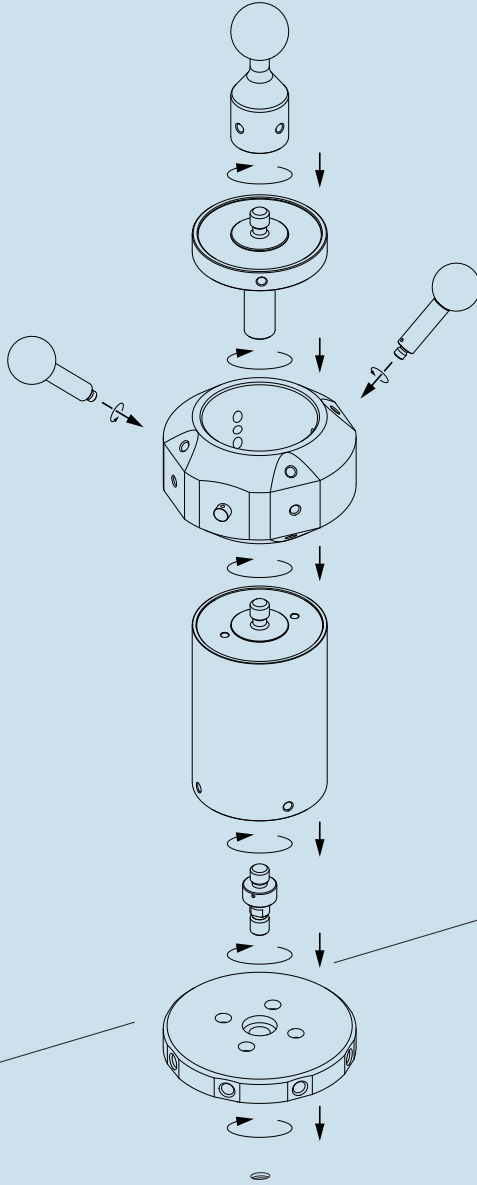
Packaging component	Material	94/62/EC code	94/62/EC number
Storage box	Polypropylene	PP	5
Inner foam inserts	Low density Polyethylene	LDPE	4

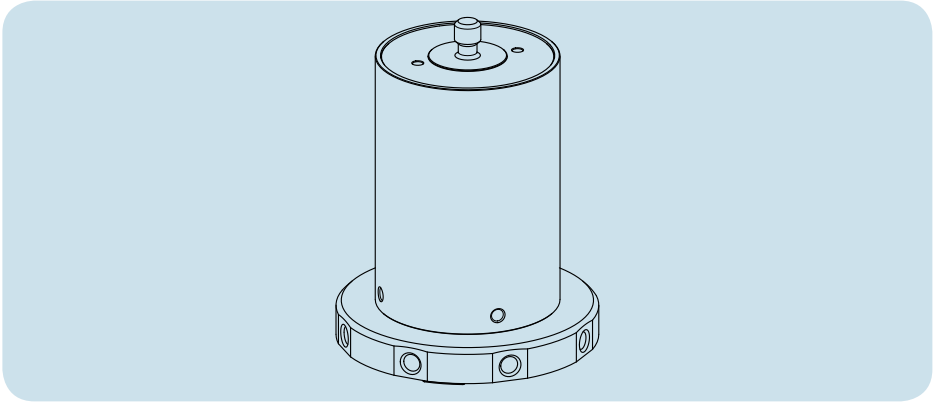
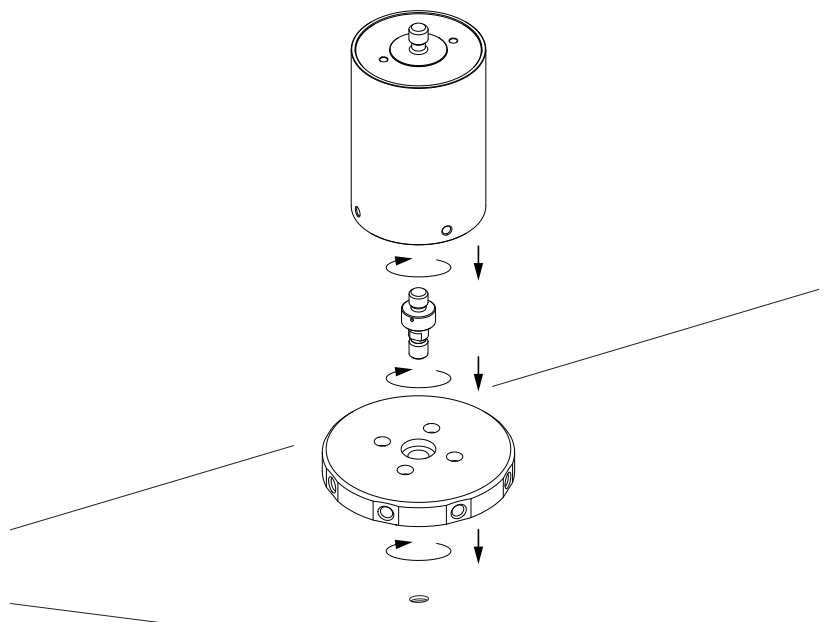
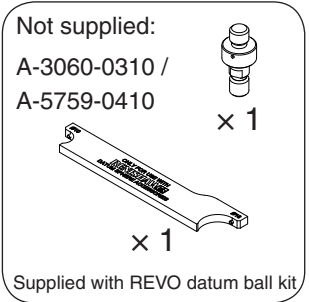
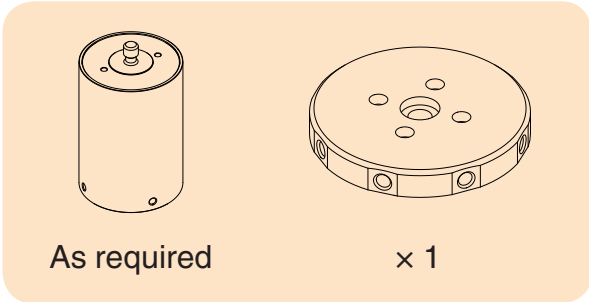
Renishaw part no: H-1000-5421-02-A

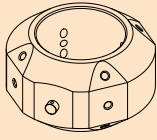
Issued: 05.2018

Universal calibration tower assembly instructions

Method 1



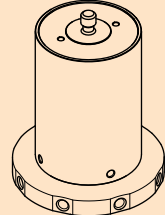




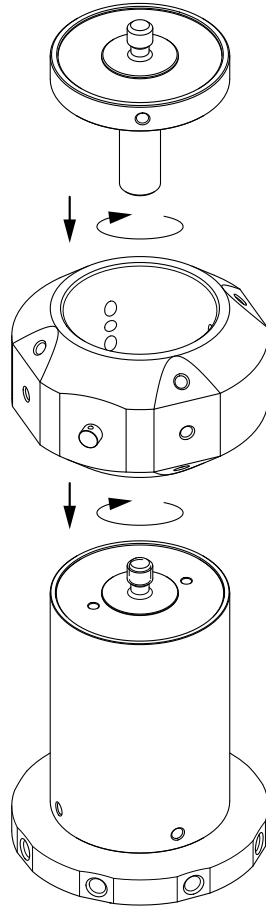
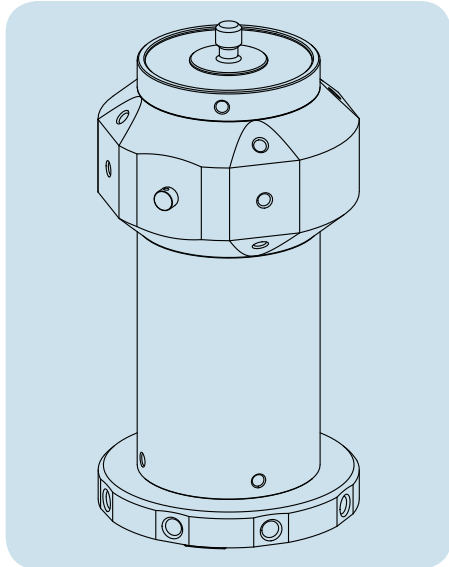
× 1

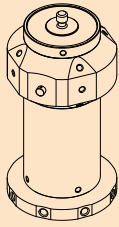


× 1



× 1





× 1

Not supplied:

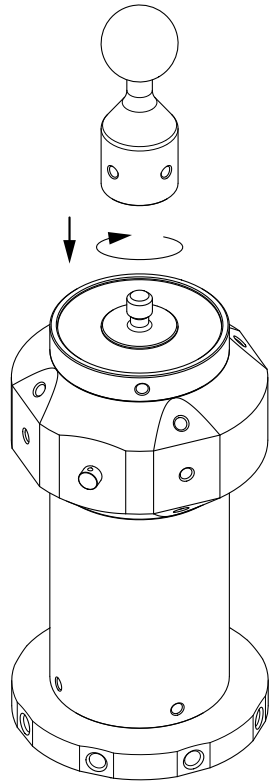
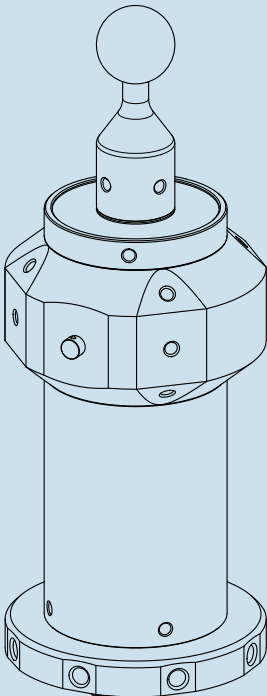
A-3060-0310 /

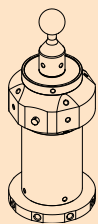
A-5759-0410



× 1

Supplied with REVO datum ball kit

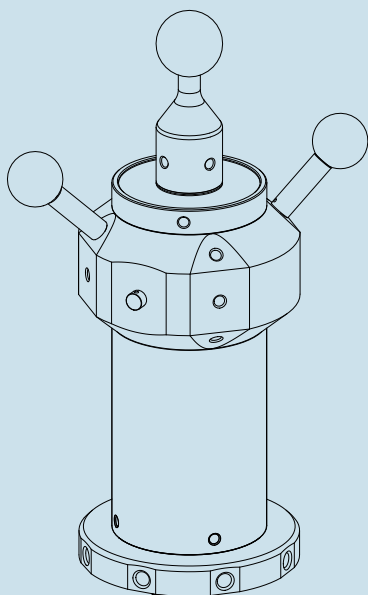
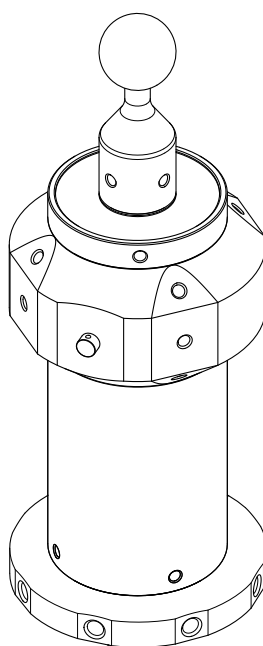
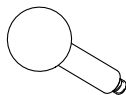


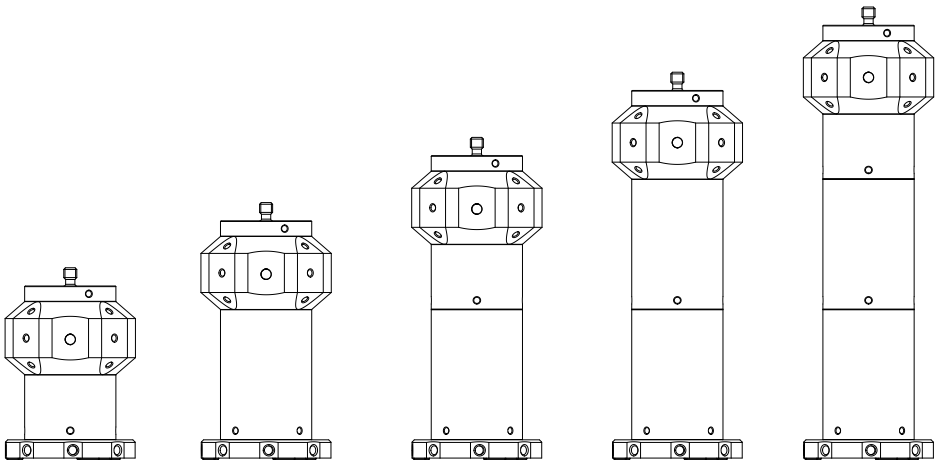


× 1

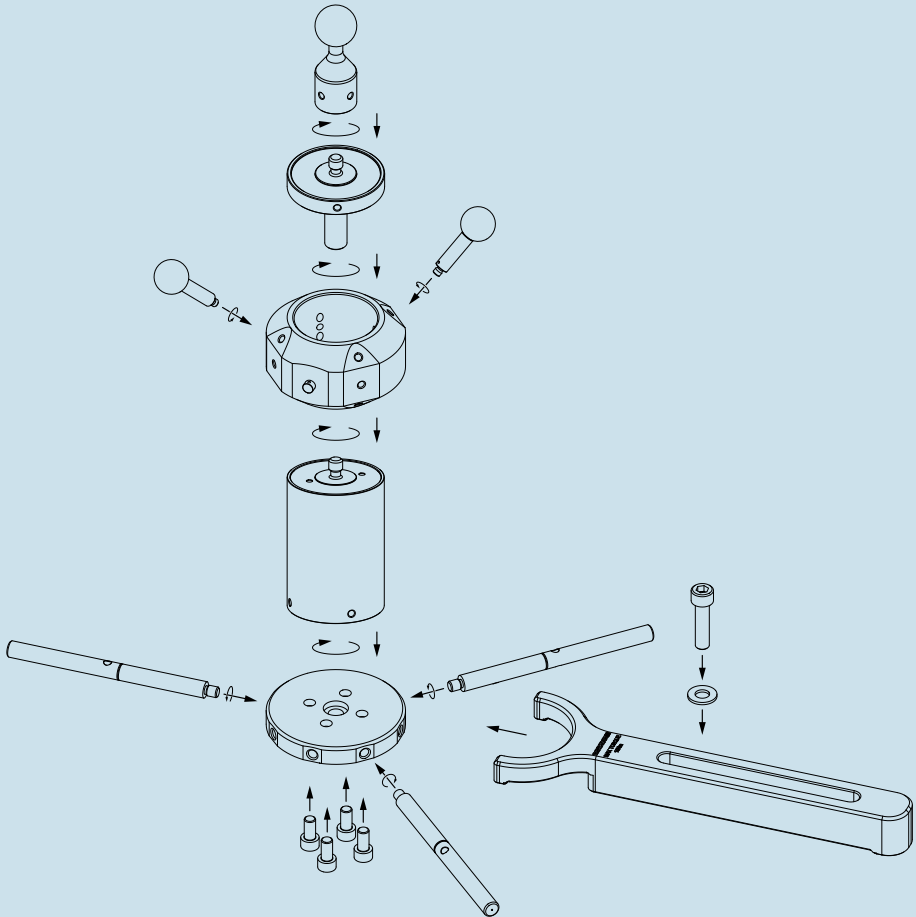
Not supplied:

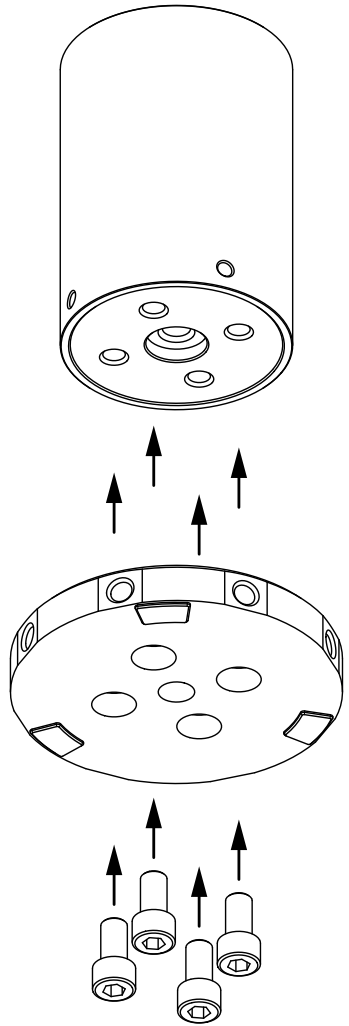
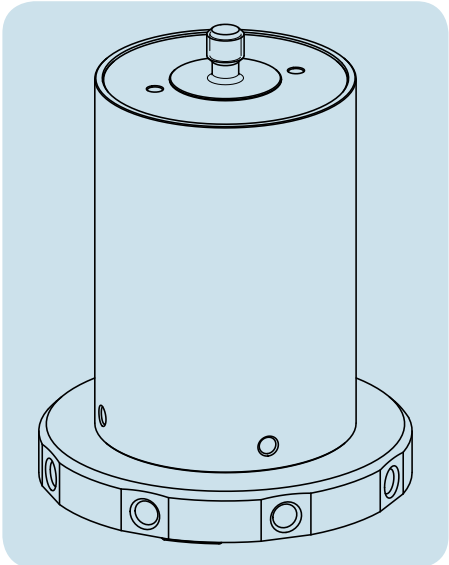
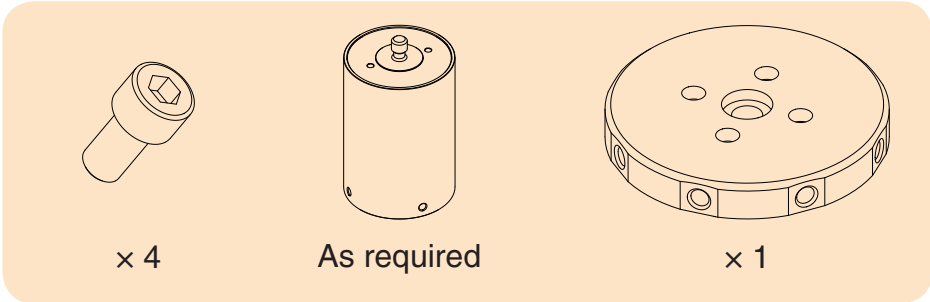
A-1034-0002

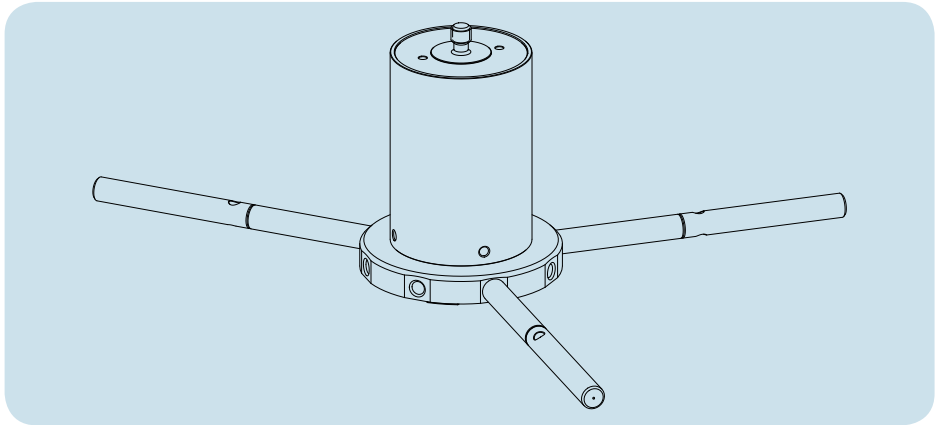
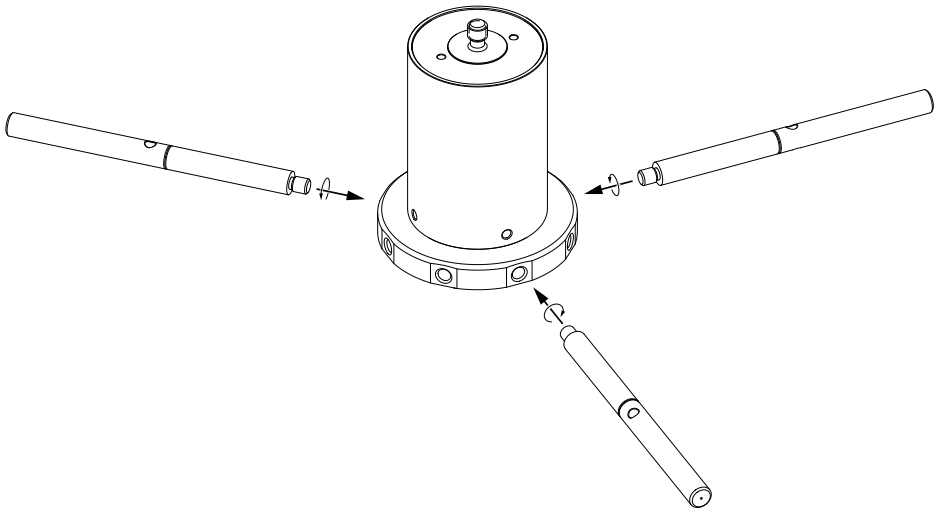
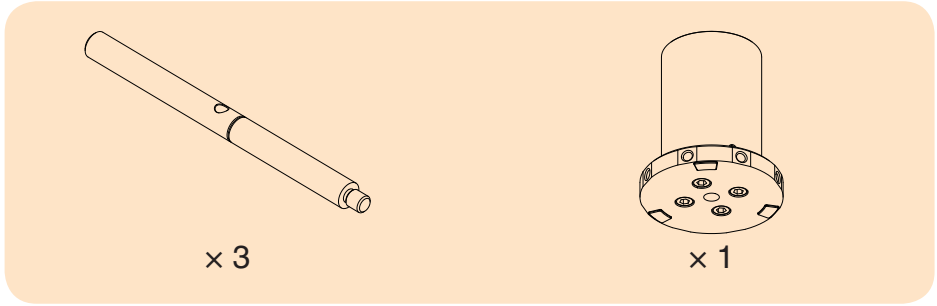


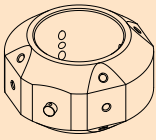


Method 2

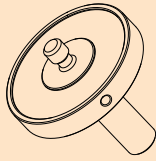




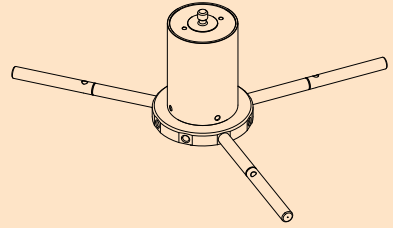




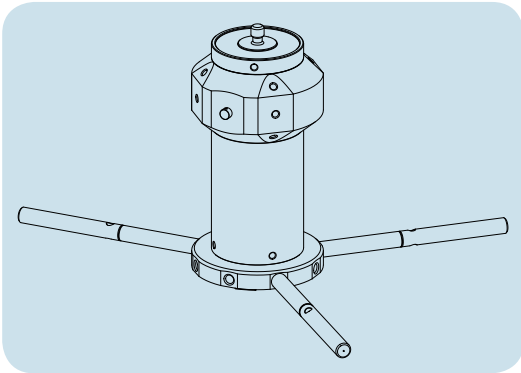
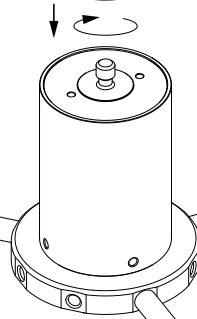
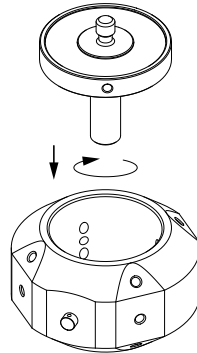
x 1

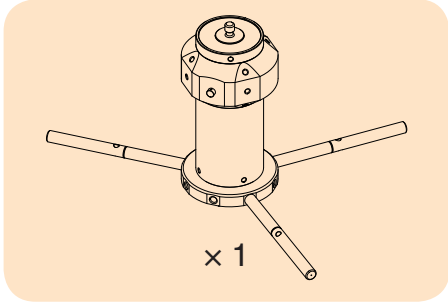


x 1



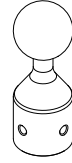
x 1





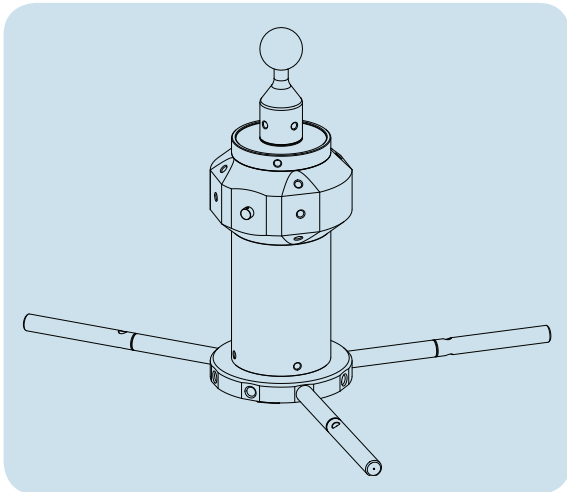
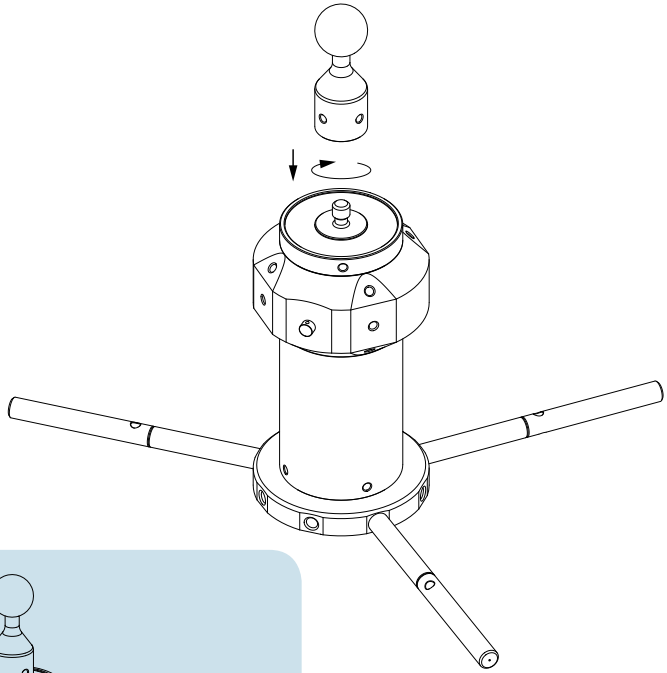
Not supplied:

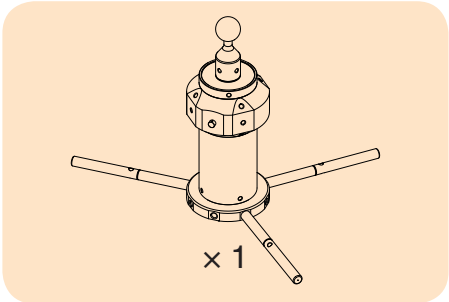
A-3060-0310 /
A-5759-0410



× 1

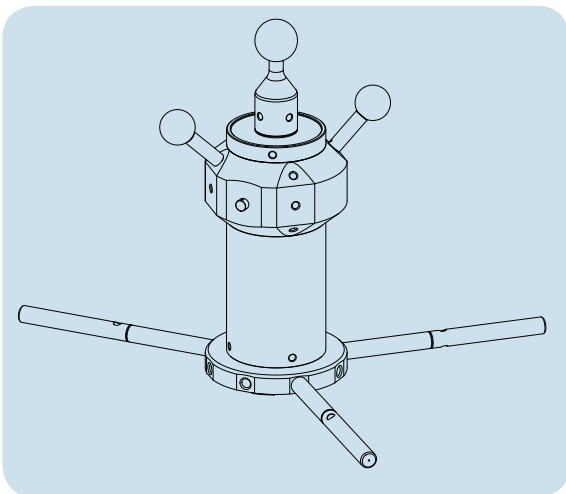
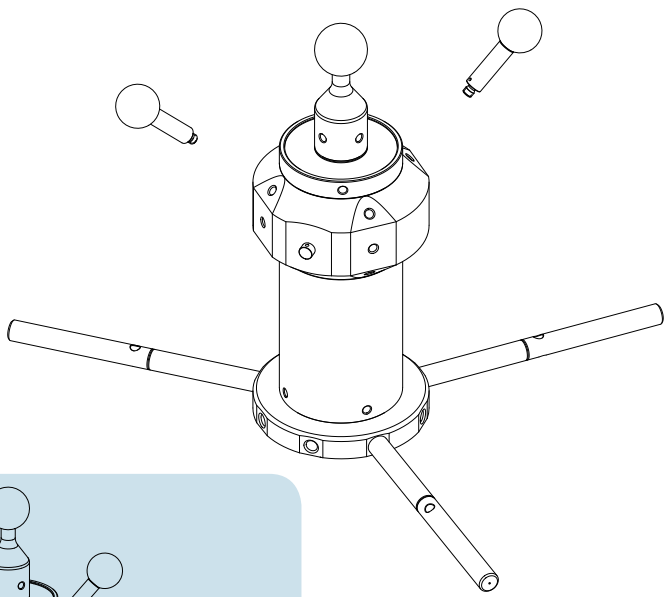
Supplied with REVO datum ball kit

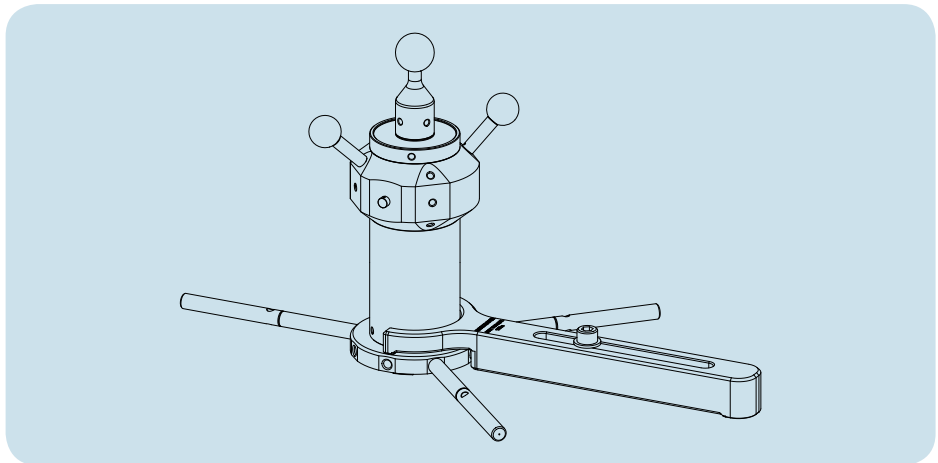
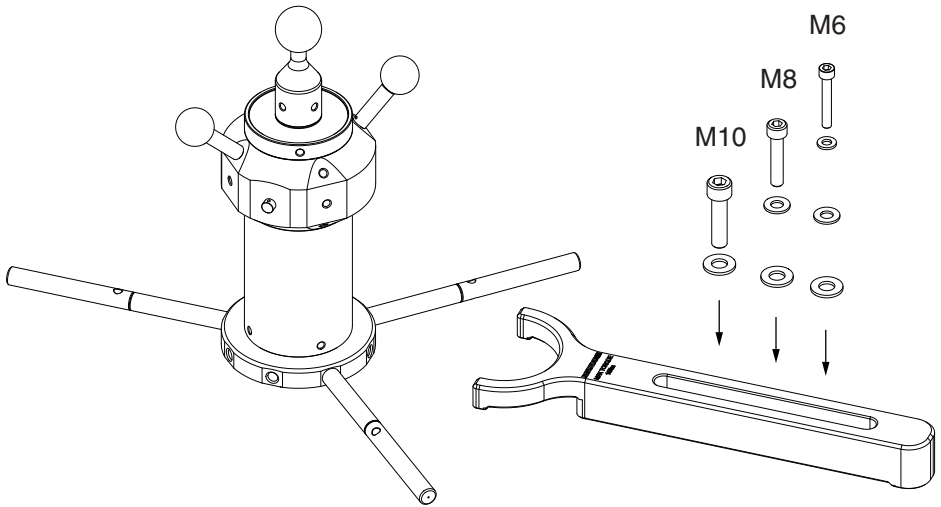
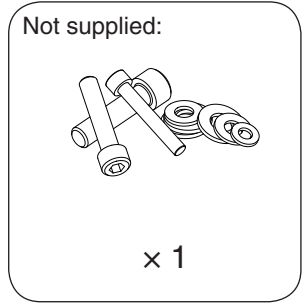
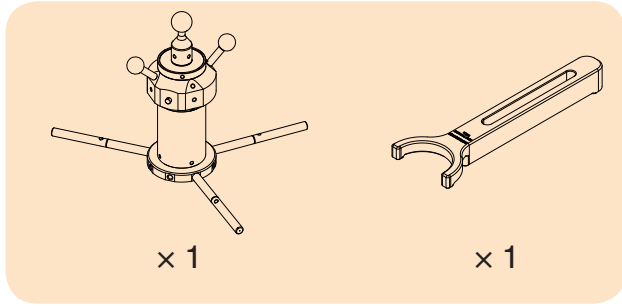


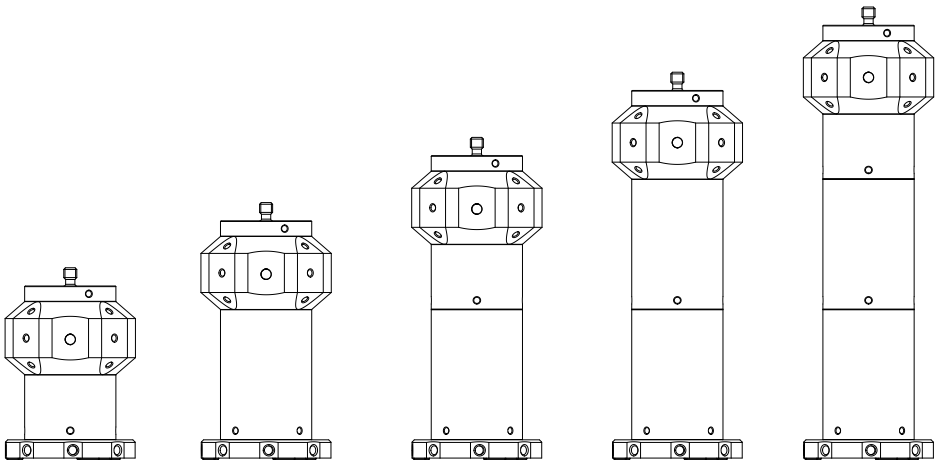


Not supplied:
A-3060-0310 /
A-5759-0410

A technical drawing of a small spherical knob component, which is a ball with a short stem and a small base. It is shown to the right of the text.







This page intentionally left blank

This page intentionally left blank

Renishaw plc

New Mills, Wotton-under-Edge,
Gloucestershire, GL12 8JR
United Kingdom

T +44 (0)1453 524524

F +44 (0)1453 524901

E uk@renishaw.com

www.renishaw.com

RENISHAW 
apply innovation™

**For worldwide contact details,
please visit our main website at
www.renishaw.com/contact**



H - 1000 - 5421 - 02